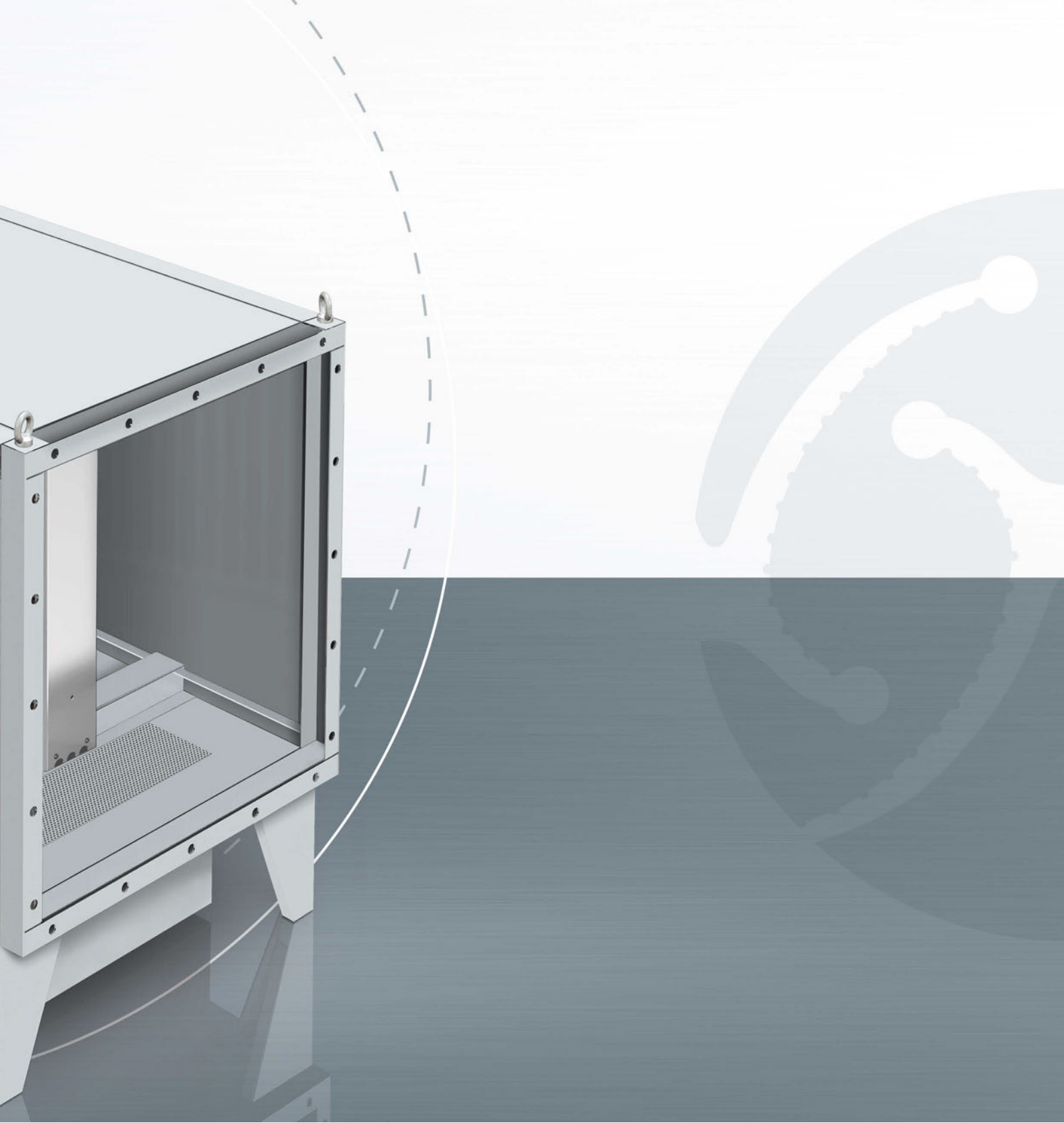




## **X-CYCLONE® RKM Series**

Duct air cleaners for water-based aerosols and high extraction volumes





## RANGE OF APPLICATION

Cleaning of the exhaust air from processing machines, coating facilities, food-production plants and cooking appliances in commercial kitchens. Separation of water-based aerosols such as cooling lubricants, spray mist or cooking fumes.

For high extraction volumes; suitable for installation in horizontal exhaust ducts.

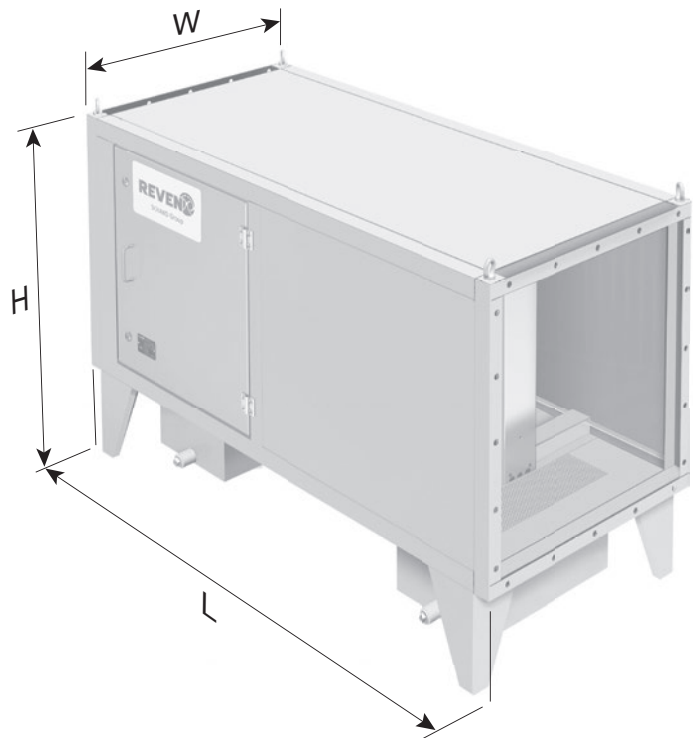
## TECHNICAL HIGHLIGHTS

- Patented high-performance X-CYCLONE® separating system with an efficiency rate of up to 99.9999 %.
- Agglomeration system made of stainless steel, suitable for the removal of PM<sub>2.5</sub>.
- Sustainable air-cleaning concept thanks to the use of cleanable separators.
- Efficiency and function of the air cleaner proven by CFD flow analysis.
- Fire protection in the exhaust duct due to flame-arresting X-CYCLONE® basic elements, tested in accordance with DIN 18869-5 and DIN EN 16282.
- Enclosure 100 % rustproof in accordance with the requirements of the German trademark association for stainless steel Warenzeichenverband Edelstahl Rostfrei e.V.
- Effective protection of the exhaust duct against contamination.
- Designed, constructed and produced in Germany.
- Lifetime guarantee on the X-CYCLONE® basic separator elements and the corrosion resistance of the enclosure.



## ACCESSORIES

- RESEX® spraying technology, see X-CYCLONE® RKM series.
- Differential pressure indicator to monitor the duct air cleaner.
- Siphons, drain lines, connecting sleeves and shut-off valves for the separated liquids.



## TECHNICAL DATA – X-CYCLONE® RKM SERIES

Type of device	Extraction volume [m <sup>3</sup> /h]	Dimensions				Pressure drop, total [Pa]	Weight [kg]
		Length [mm]	Width [mm]	Height [mm]	Duct connection [mm]		
RKM-01	5000	1600	720	990	645 x 665	800	162
RKM-02	7500	1600	1030	990	955 x 665	800	213
RKM-03	10000	1600	1340	990	1265 x 665	800	264
RKM-04	10000	1600	720	1610	645 x 1285	800	274
RKM-05	15000	1600	1030	1610	955 x 1285	800	356
RKM-06	20000	1600	1340	1610	1265 x 1285	800	428
RKM-07	30000	1600	1340	2230	1265 x 1905	800	582
RKM-08	30000	1600	1960	1610	1885 x 1285	800	602
RKM-09	45000	1600	1960	2230	1885 x 1905	800	808
RKM-10	60000	1600	2580	2230	2505 x 1905	800	1064
RKM-11	60000	1600	1960	2850	1885 x 2525	800	1064
RKM-12	80000	1600	2580	2850	2505 x 2525	800	1332

\* Attention: The specified pressure drops are based on the assumption of an unobstructed air inflow into the X-CYCLONE® duct system and out of it. The air intake and outlet of the duct must be three times, better five times, as long as the diameter of the connection to the X-CYCLONE® duct system.