



X-CYCLONE® DR Series

Ceiling-mounted extractor with REVEX® spraying system

Peripheral and central versions





RANGE OF APPLICATION

Room-spanning REVEX® ceiling-mounted extractor modules, suitable for the capture and cleaning of exhaust air from food-production plants and from cooking appliances in commercial kitchens. Separation of water- and oil-based aerosols such as spray mist or cooking fumes.

TECHNICAL HIGHLIGHTS

- Patented high-performance X-CYCLONE® separating system with an efficiency rate of up to 99.9999 %.
- Integrated, patented REVEX® spraying system for fully automatic cleaning and disinfection of the aerosol separators on both sides.
- Efficiency and function of the separators proven by CFD flow analysis.
- Sustainable air-cleaning concept thanks to efficient separators and scientifically sound technologies.
- Lifetime guarantee on the X-CYCLONE® basic separator elements and the corrosion resistance of the ceiling-mounted extractor module.

ACCESSORIES

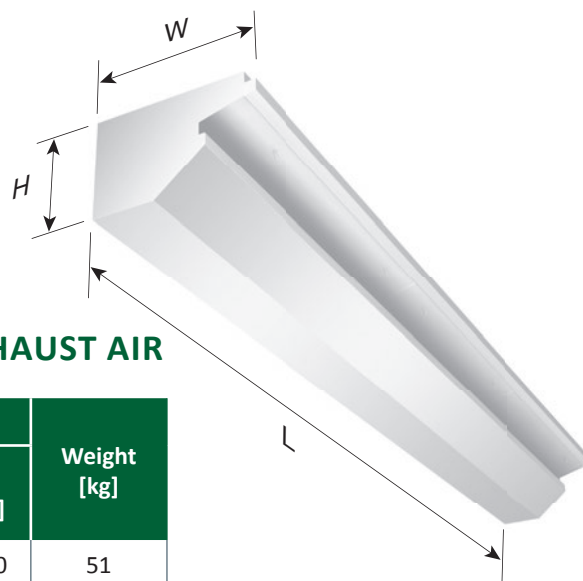
- REVEN® energy-saving sensors for fully automatic monitoring, control and adjustment of the exhaust air volume flow.

Further information

www.reven.de (Technologies)
www.speed-control.info
www.reven-protect.com

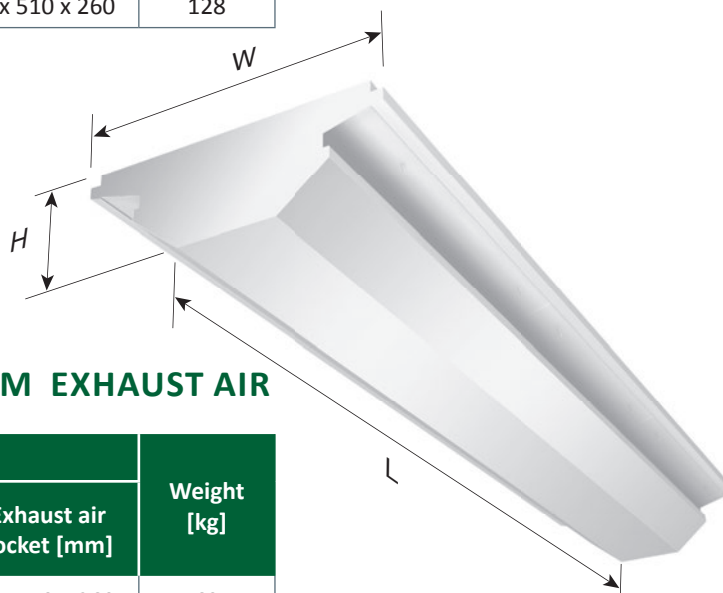


- REVEN® UV system for the elimination of odorous matter and micro-organisms.
- Fully integrated REVEN® PROTECT fire-extinguishing system.



TECHNICAL DATA – X-CYCLONE® DR-W EXHAUST AIR

Extraction volume [m³/h]	Dimensions				Weight [kg]
	Length [mm]	Width [mm]	Height [mm]	Exhaust air socket [mm]	
960	1500	570	360	1 x 510 x 260	51
1280	2000	570	360	2 x 510 x 260	64
1600	2500	570	360	2 x 510 x 260	77
1920	3000	570	360	2 x 510 x 260	96
2240	3500	570	360	2 x 510 x 260	109
2560	4000	570	360	3 x 510 x 260	128



TECHNICAL DATA – X-CYCLONE® DR-M EXHAUST AIR

Extraction volume [m³/h]	Dimensions				Weight [kg]
	Length [mm]	Width [mm]	Height [mm]	Exhaust air socket [mm]	
1920	1500	1044	360	1 x 510 x 260	63
2560	2000	1044	360	2 x 510 x 260	78
3200	2500	1044	360	2 x 510 x 260	94
3840	3000	1044	360	2 x 510 x 260	117
4480	3500	1044	360	2 x 510 x 260	133
5120	4000	1044	360	3 x 510 x 260	150