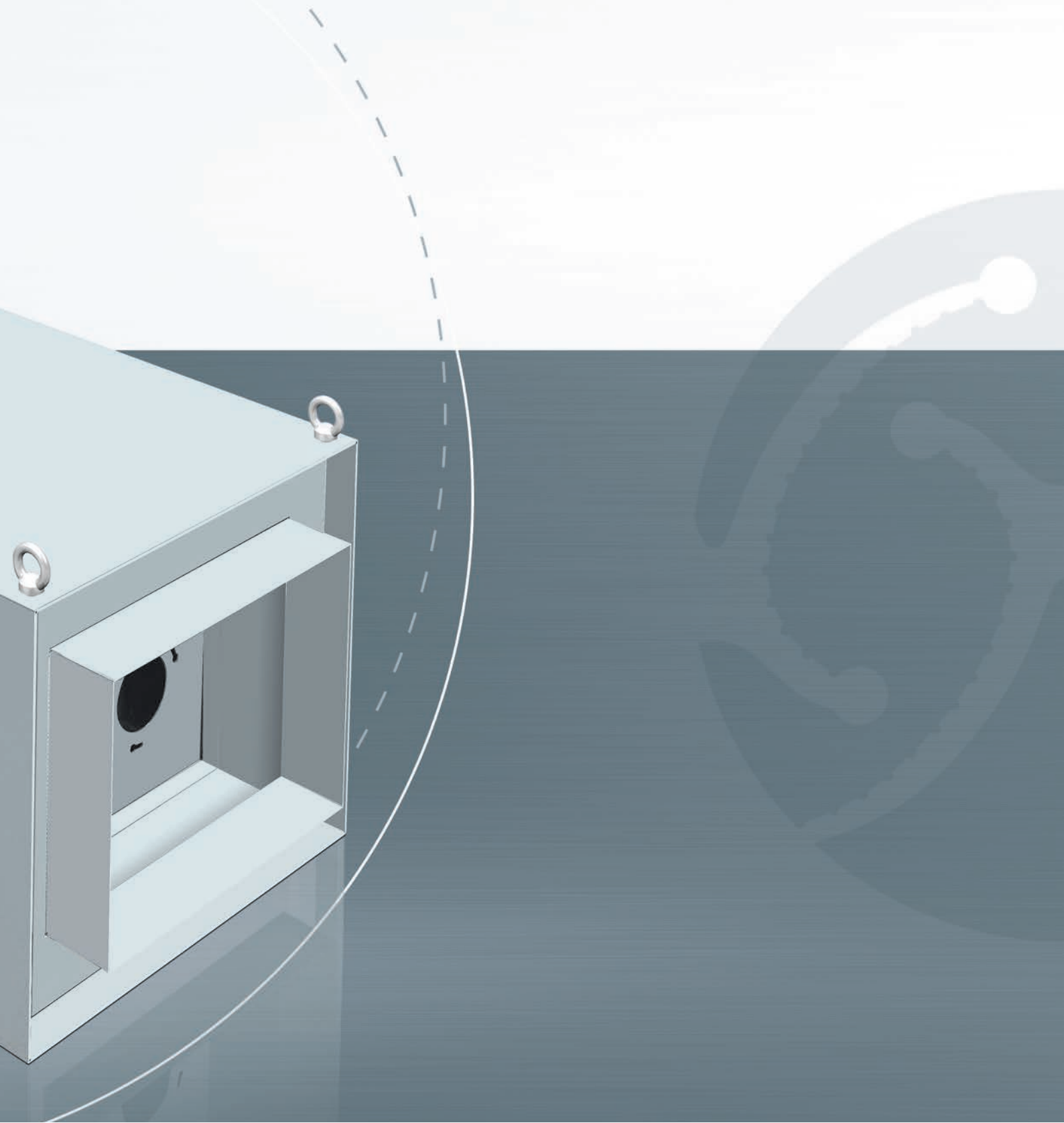


## **X-CYCLONE® Rkgn Series**

Duct air cleaners for the reduction of organic odour pollution





## RANGE OF APPLICATION

Cleaning of grease-polluted exhaust air from food-production facilities, commercial kitchens or industrial bakeries and control of organic odour pollution by means of oxidation.

Suitable for installation in horizontal exhaust ducts.

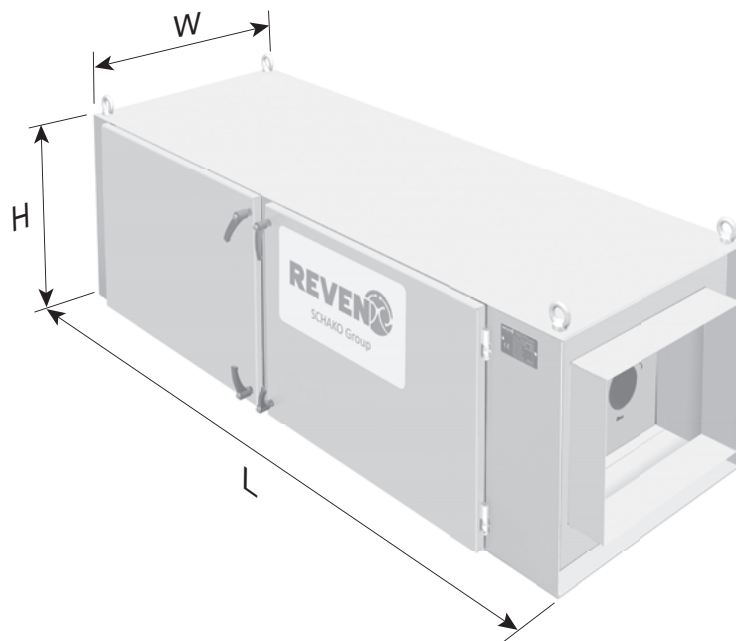


## TECHNICAL HIGHLIGHTS

- Combination of the patented high-performance X-CYCLONE® separating system and a RGN99 odour filter with an efficiency rate of up to 99.9999 %.
- RGN99 high-performance granulate, a food-compliant alternative to activated carbon. Odour reduction by oxidation of odour molecules in the exhaust air.
- Oxidation with potassium permanganate and volcanic rock zeolite. Odours are eliminated by the reaction with potassium permanganate; residual odour particles are trapped in the molecular sieve provided by the volcanic zeolite carrier material.
- Sustainable air-cleaning concept thanks to the use of cleanable separators.
- Efficiency and function of the air cleaner proven by CFD flow analysis.
- Fire protection in the exhaust duct due to flame-arresting X-CYCLONE® basic elements, tested in accordance with UL 1046, ULC-S 649, JFEA, DIN 18869-5 and DIN EN 16282.
- Enclosure 100 % rustproof in accordance with the requirements of the German trademark association for stainless steel Warenzeichenverband Edelstahl Rostfrei e.V.
- Effective protection of the exhaust duct against contamination.



- Designed, constructed and produced in Germany.
- Lifetime guarantee on the X-CYCLONE® basic separator elements and the corrosion resistance of the enclosure.



## ACCESSORIES

- Differential pressure indicator to monitor the duct air cleaner.
- Adapters and reducers for connection to the exhaust ducts.

## TECHNICAL DATA – X-CYCLONE® RKGN SERIES

Type of device	Extraction volume [m³/h]	Dimensions				Pressure drop, total [Pa]	Weight [kg]
		Length [mm]	Width [mm]	Height [mm]	Duct connection [mm]		
RKGN-1	800	1500	460	460	300 x 300	800 – 1200	95
RKGN-2	1200	1500	540	460	400 x 300	800 – 1200	115
RKGN-3	1600	1500	700	460	550 x 300	800 – 1200	135
RKGN-4	2400	1500	700	650	550 x 450	800 – 1200	175
RKGN-5	3200	1500	700	700	550 x 550	800 – 1200	200
RKGN-6	4800	1500	1190	810	1040 x 660	800 – 1200	325
RKGN-7	7200	1500	1190	1120	1040 x 970	800 – 1200	370

\* Attention: The specified pressure drops are based on the assumption of an unobstructed air inflow into the X-CYCLONE® duct system and out of it. The air intake and outlet of the duct must be three times, better five times, as long as the diameter of the connection to the X-CYCLONE® duct system.