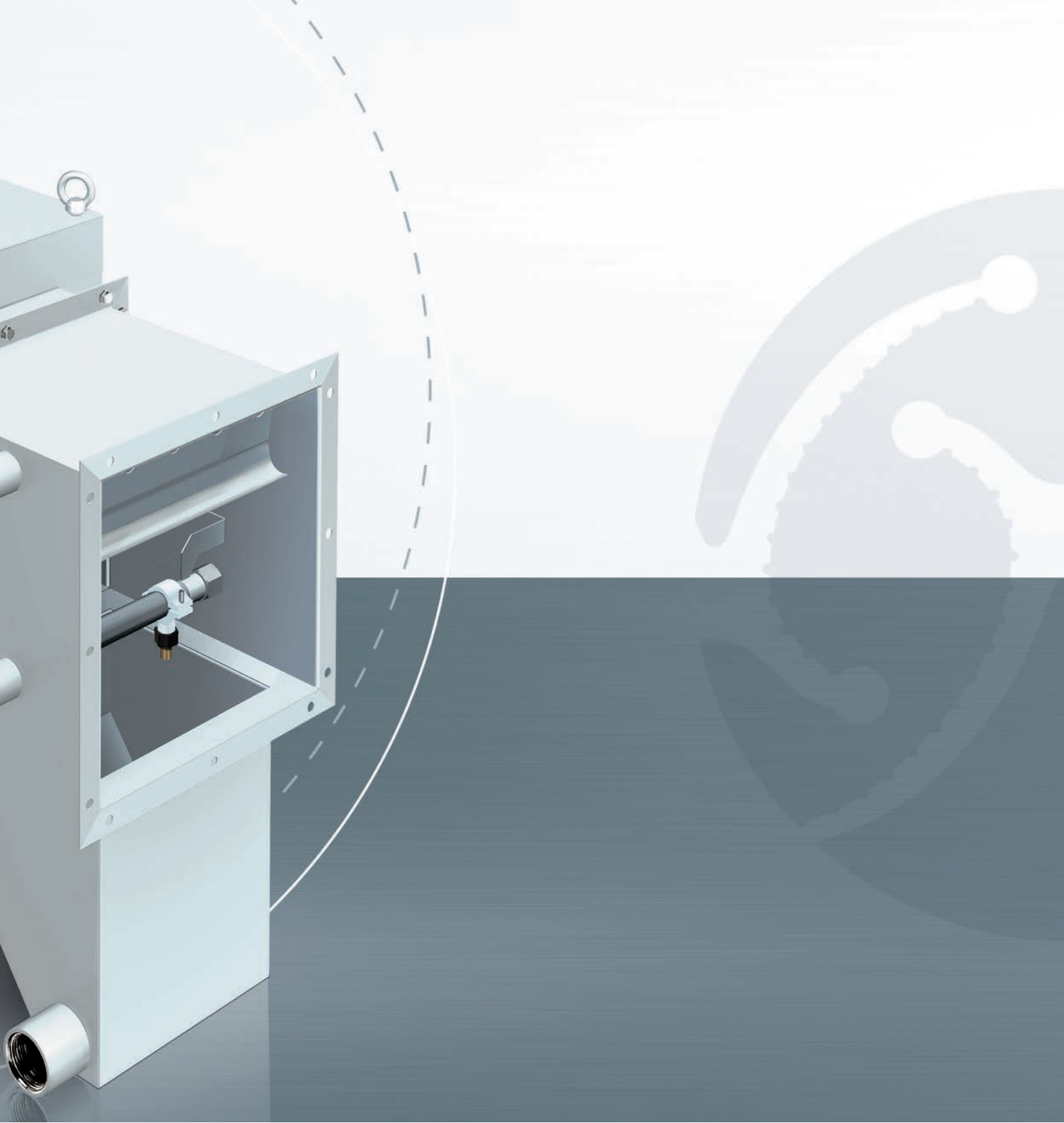




X-CYCLONE® RK2R Series

Duct air cleaners with REVEX® spraying technology





RANGE OF APPLICATION

Cleaning of the exhaust air from processing machines, coating facilities, food-production plants and cooking appliances in commercial kitchens. Separation of dry, adhesive, solid and vaporous substances.

Suitable for installation in horizontal exhaust ducts.



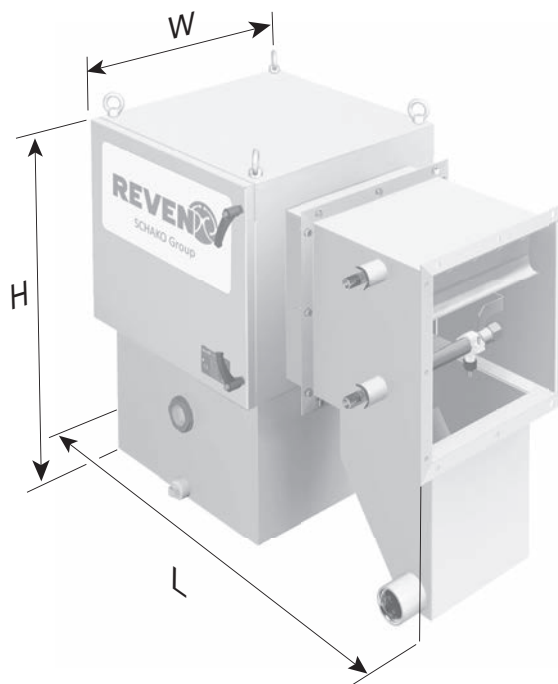
TECHNICAL HIGHLIGHTS

- Patented high-performance X-CYCLONE® separating system with an efficiency rate of up to 99.9999 %.
- Patented REVEX® spraying technology with cleaning and air-washing function.
- Agglomeration system made of stainless steel, suitable for the removal of PM_{2.5}.
- Efficiency and function of the air cleaner proven by CFD flow analysis.
- Fire protection in the exhaust duct due to flame-arresting X-CYCLONE® basic elements, tested in accordance with UL 1046, ULC-S 649, JFEA, DIN 18869-5 and DIN EN 16282.
- Enclosure 100 % rustproof in accordance with the requirements of the German trademark association for stainless steel Warenzeichenverband Edelstahl Rostfrei e.V.
- Effective protection of the exhaust duct against contamination.
- Designed, constructed and produced in Germany.
- Lifetime guarantee on the X-CYCLONE® basic separator elements and the corrosion resistance of the enclosure.



ACCESSORIES

- Differential pressure indicator to monitor the duct air cleaner.
- Adapters and reducers for connection to the exhaust ducts.
- Siphons, drain lines, connecting sleeves and shut-off valves for the separated liquids.



TECHNICAL DATA – X-CYCLONE® RK2R SERIES

Type of device	Extraction volume [m ³ /h]	Dimensions				Pressure drop, total [Pa]	Weight [kg]
		Length [mm]	Width [mm]	Height [mm]	Duct connection [mm]		
RK2R-1	1200	960	380	710	320 x 320	1100	75
RK2R-2	1600	960	550	710	490 x 320	1100	83
RK2R-3	2400	960	550	880	490 x 490	1100	100
RK2R-4	3300	960	680	1120	620 x 620	1100	140
RK2R-5	6000	960	900	1240	840 x 840	1100	180
RK2R-6	10000	960	1220	1510	1160 x 1160	1100	250

* Attention: The specified pressure drops are based on the assumption of an unobstructed air inflow into the X-CYCLONE® duct system and out of it. The air intake and outlet of the duct must be three times, better five times, as long as the diameter of the connection to the X-CYCLONE® duct system.