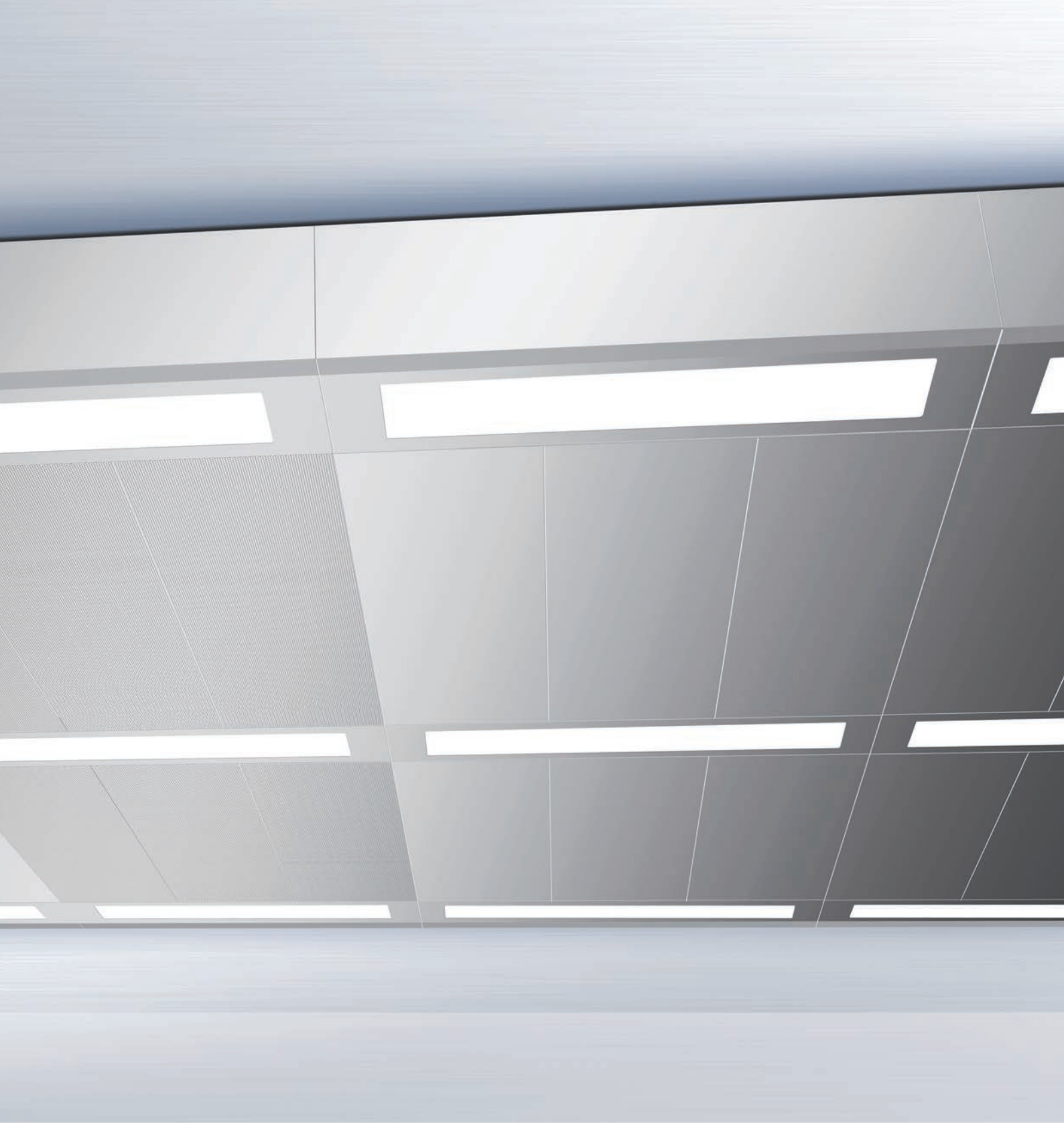




X-CYCLONE[®] DAK and REVEN[®] DQA Series

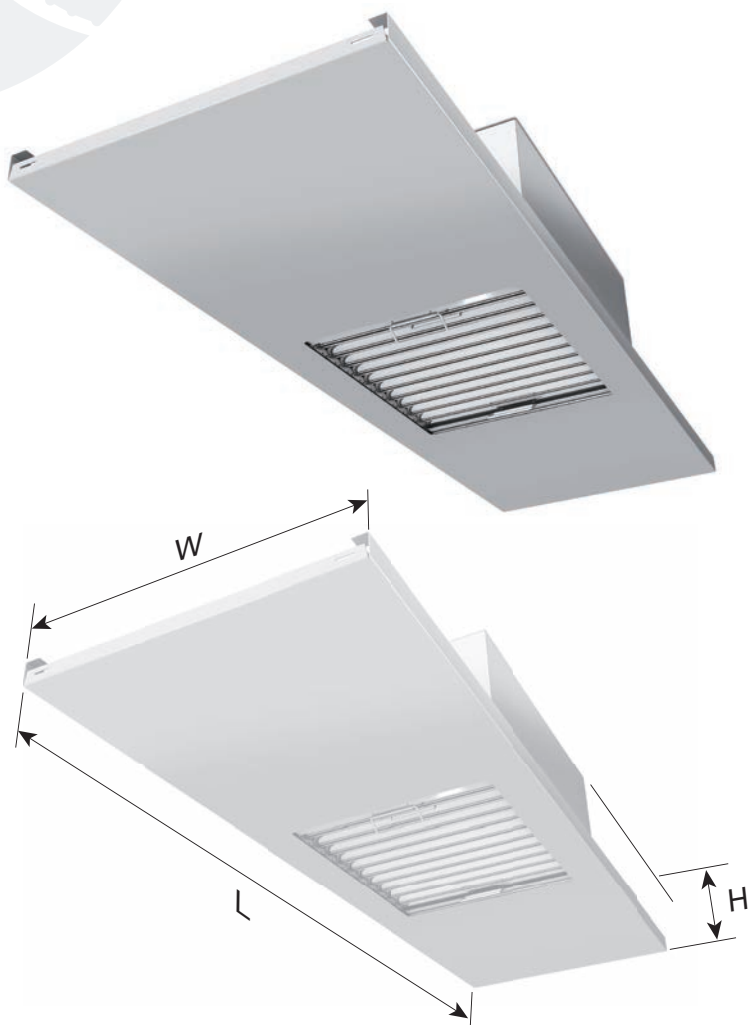
Exhaust air box filter and low-velocity supply air outlet





RANGE OF APPLICATION

Exhaust air box filter for additional capturing and cleaning of exhaust air from food-production plants and from cooking appliances in commercial kitchens. Suitable for operation in combination with REVEN® ceiling extractors.



Capture and cleaning of steam and hot air with low intensity.

TECHNICAL HIGHLIGHTS

- Exhaust air box filter with integrated high-performance X-CYCLONE® separating system with an efficiency rate of up to 99.9999 %.
- Efficiency and function of the box filter separators proven by CFD flow analysis.
- Sustainable air-cleaning concept thanks to efficient separators and scientifically sound technologies.
- The box filter and all materials used for its production are 100 % rustproof in accordance with the requirements of the German trademark association for stainless steel Warenzeichenverband Edelstahl Rostfrei e.V.
- Designed, constructed and produced in Germany.
- Lifetime guarantee on the corrosion resistance of the enclosure.



TECHNICAL DATA – X-CYCLONE® DAK SERIES

Extraction volume [m³/h]	Dimensions			Exhaust air socket [mm]	Weight [kg]
	Length [mm]	Width [mm]	Height [mm]		
500	500	500	290	1 x 200	13
1000	1000	500	290	2 x 200	16
1500	1500	500	290	3 x 200	19
2000	2000	500	290	4 x 200	21

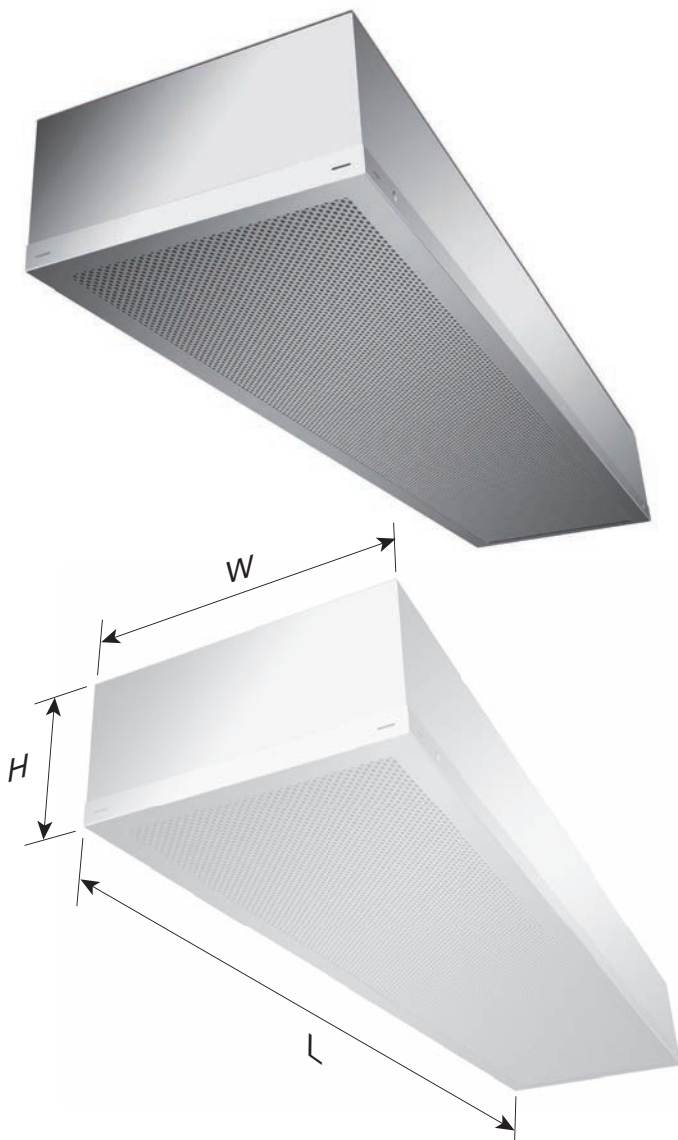
RANGE OF APPLICATION

Low-velocity supply air outlet to support air management in food production facilities and commercial kitchens. Suitable for operation in

combination with REVEN® ceiling extractors.

TECHNICAL HIGHLIGHTS

- Box-type enclosure with integrated flow rectifier for a fresh air supply that is free of draughts.
- Perforated metal sheets, optionally available in stainless steel or powder-coated aluminium.
- Flow-optimised design, suitable for food production facilities and commercial kitchens. Deep penetration of fresh air down to the floor area of the kitchen or production shop.
- The perforated sheet coffers and all materials used for their production are 100 % rustproof in accordance with the requirements of the German trademark association for stainless steel Warenzeichenverband Edelstahl Rostfrei e.V.
- Designed, constructed and produced in Germany.
- Lifetime guarantee on the corrosion resistance of the enclosure.



TECHNICAL DATA – REVEN® DQA SERIES



Extraction volume [m³/h]	Dimensions				Weight [kg]
	Length [mm]	Width [mm]	Height [mm]	Connecting diameter [mm]	
250	500	500	250	1 x 150	7
500	1000	500	250	2 x 150	14
750	1500	500	250	3 x 150	21
1000	2000	500	250	4 x 150	28